



# IOLAN TS2

## Serial to Ethernet Servers



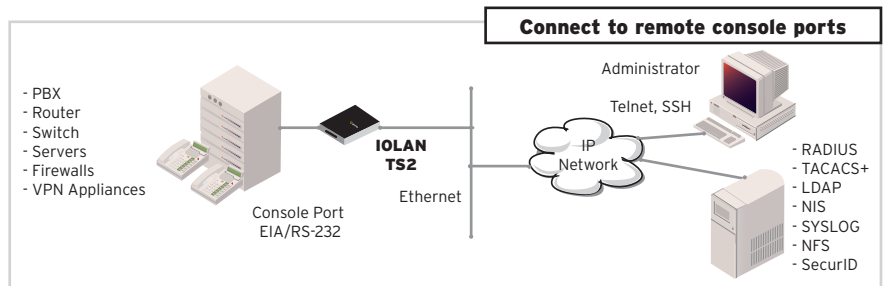
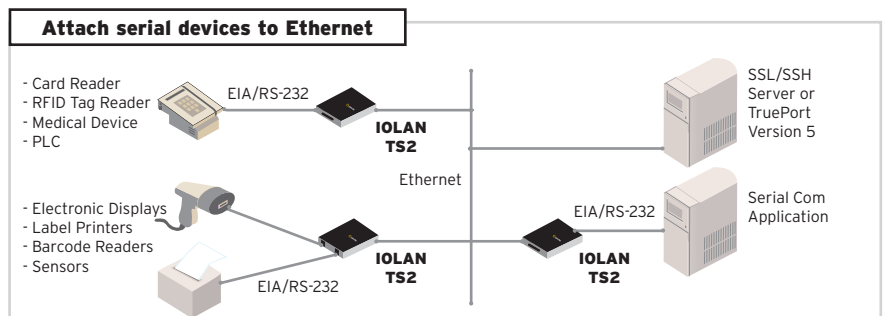
For serial to Ethernet connectivity applications, the IOLAN TS2 is the most advanced series of device servers available. Delivering high performance in a compact size, an IOLAN TS2 offers flexibility and next generation IP technology making it ideal for applications that require remote device/console management, data capture or monitoring.

### Serial Connectivity

IOLAN TS2 device servers enable administrators to access remote serial console ports on equipment such as PBX, servers, routers, network storage equipment and security appliances through an IP network.

### Features and Benefits

- Two EIA/RS-232 ports with 15Kv ESD protection for continual and reliable operation
- Next Generation IP support ( IPv6 ) for investment protection and network compatibility
- High performance in a space saving compact size
- Indicators for network and serial
- Protective solid steel enclosure
- DIN Rail mounting option for Industrial Automation applications
- RFC 2217
- Modbus to Modbus TCP
- Software Development Kit
- RoHS and WEEE compliant
- Perle Lifetime warranty for security and peace of mind



### Advanced IP Technology

With support for Next Generation IP ( IPv6 ), an IOLAN TS2 provides organisations with the investment protection today to meet the compatibility needs of networks tomorrow.

### Flexible and Reliable Serial to Ethernet Connections

An IOLAN TS2 is ideal for connecting serial based COM port, UDP or TCP socket based applications to remote devices. Perle's TruePort V5 re-director provides fixed TTY or COM ports to serial based applications enabling communication with remote devices connected to Perle device servers. You can also tunnel serial data between devices across an IP network.

Perle's Device Management software provides better centralised control of multiple units resulting in maximum uptime for your remote equipment.

IOLAN TS2 models have added protection against electrostatic discharges and power surges with robust 15Kv ESD protection circuitry enabling organisations to utilise this solution in the field with confidence.

### Class Leading Support and Warranty

The Perle IOLAN TS2 is backed by the best service and support in the industry including Perle's unique lifetime warranty. Since 1976 Perle has been providing its customers with networking products that have the highest levels of performance, flexibility and quality.



## Technical Specifications

### Processor

- MPC852T, 66 Mhz, 87 MIPS

### Network/Ethernet

- 1 x 10/100Mb RJ45

### Protocols

- IPv6, IPv4, TCP/IP, ARP, RARP, UDP, UDP Multicast, ICMP, BOOTP, DHCP, TFTP, Telnet, raw, reverse Telnet, RFC 2217, RCP, HTTP, SNMP, Modbus/TCP, Modbus/RTU, Modbus/ASCII

### Management

- Web browser
- Perle DeviceManager software to manage single or multiple device servers
- CLI – Telnet, shared console port
- SNMP, MIB II, Perle MIB, read and write capabilities

### Serial Port(s)

- EIA/RS-232
- Full modem and hardware flow control
- 50bps to 230Kbps
- Two RJ45 10 pin connectors
- Full bidirectional modem support
- 15Kv ESD protection on all signals

### Indicators

- Power/Ready
- Network Link activity
- Serial: Transmit and Receive data LEDs

### Dimensions, Weight

- Dimension (L x W x H)  
9.0 x 6.4 x 2.3 (cm), 3.5 x 2.5 x 0.9 (in)  
Weight – 0.22 kg (0.50 lbs)

### Power

- 120 VAC (USA)
- 100-240 VAC (International)  
*External power adapter included with North American and International models*
- Power via External power 9-30V DC, 4.8 Watts – standard barrel socket

### Fixed TTY/COM Port Emulation Software

- TruePort

### Environmental

- Operating temperature:  
0°C to 55°C, 32°F to 131°F
- Storage temperature:  
-40°C to 66°C, -40°F to 150°F

### Approvals

- FCC Part 15A, CE, CAN/CSA 22.2, UL 60950, EN 55022 Class A, EN 55024 Class A

### Warranty

- Limited lifetime warranty

Model	Features						Part Number		
	Ethernet	Serial Ports	Interface Type	Serial Connector	AC Adapter incl.	9-30V DC	USA	Europe	UK
IOLAN TS2	10/100	2	EIA-232	RJ45-10	•	•	04030644	04030642	04030641



[www.perle.com](http://www.perle.com)

Perle products are constantly reviewed and updated to meet customers' needs, as such specifications and capabilities are subject to change without notice. We endeavor to keep product descriptions as current as possible; for the latest up-to-date information, please visit our web site at [www.perle.com](http://www.perle.com). Perle is a registered trademark of Perle Systems. All other product names are trademarks of their respective holders. Copyright©Perle.