



Essential Network Connectivity

# IOLAN SDS T

## Secure Serial to Ethernet Servers For Extended Temperatures

For serial to Ethernet connectivity applications, the IOLAN SDS T is the most advanced series of device servers available. Delivering high performance in a compact size, an IOLAN SDS T offers extensive security, flexibility and next generation IP technology making it ideal for applications that require remote device/console management, data capture or monitoring in extreme temperature environments.

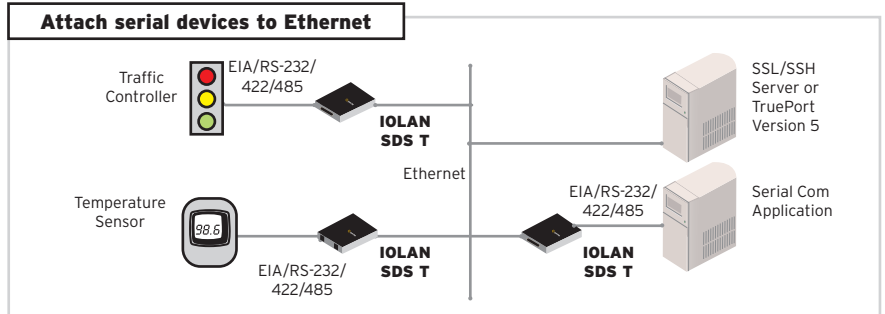
### Secure Serial Connectivity

IOLAN SDS T device servers enable administrators to securely access remote serial console ports on equipment such as PBX, servers, routers, network storage equipment and security appliances through an IP network. Sensitive data such as credit card holder information is protected through standard encryption tools such as Secure Shell (SSH) and Secure Sockets Layer (SSL).

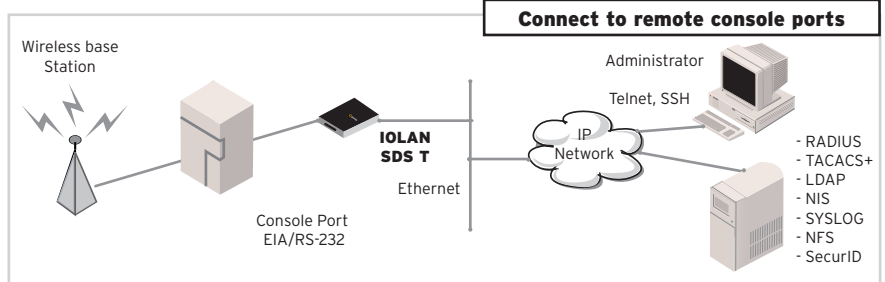
### Features and Benefits

- Software selectable EIA/RS-232/422/485 interface prevents mechanical tampering in the field
- Extended temperature range of -40°C to +74°C
- AES, 3DES encryption over SSH or SSL sessions
- Next Generation IP support ( IPv6 ) for investment protection and network compatibility
- High performance in a space saving compact size
- Port buffering for data capture and analysis
- For console management applications, powerful authentication schemes prevent unauthorised access
- Protective solid steel enclosure
- Power over serial cable eliminates costs of a separate power installation
- DIN Rail mounting option for Industrial Automation applications
- RFC 2217
- Modbus to Modbus TCP
- Software Development Kit
- RoHS and WEEE compliant
- Perle Lifetime warranty for security and peace of mind

### Attach serial devices to Ethernet



### Connect to remote console ports



### Advanced IP Technology

With support for Next Generation IP ( IPv6 ), an IOLAN SDS T provides organisations with the investment protection today to meet the compatibility needs of networks tomorrow.

### Flexible and Reliable Serial to Ethernet Connections

An IOLAN SDS T is ideal for connecting serial based COM port, UDP or TCP socket based applications to remote devices. Perle's TruePort V5 re-director provides fixed TTY or COM ports to serial based applications enabling communication with remote devices connected to Perle device servers either in encrypted or clear text modes. You can also tunnel serial data between devices across an IP network.

Perle's Device Management software provides better centralised control of multiple units resulting in maximum uptime for your remote equipment.

All IOLAN SDS T models have added protection against electrostatic discharges and power surges with robust 15Kv ESD protection circuitry enabling organisations to utilise this solution in the field with confidence.

### Class Leading Support and Warranty

Perle IOLAN's are backed by the best service and support in the industry including Perle's unique lifetime warranty. Since 1976 Perle has been providing its customers with networking products that have the highest levels of performance, flexibility and quality.



## Technical Specifications

### Processor

- MPC852T, 66 Mhz, 87 MIPS

### Network/Ethernet

- 1 x 10/100Mb RJ45

### Protocols

- IPv6, IPv4, TCP/IP, Reverse SSH, SSH, SSL, CIDR, RIPv2/MD5, ARP, RARP, UDP, UDP Multicast, ICMP, BOOTP, DHCP, TFTP, SNTP, Telnet, raw, reverse Telnet, RFC 2217, LPD, RCP, DNS, WINS, HTTP, HTTPS, SMTP, SNMPV3, PPP, PAP/CHAP, SLIP, CSLIP, Modbus/TCP, Modbus/RTU, Modbus/ASCII

### Security and Authentication

- SSHV1 and SSHV2
- SSL V3.0/TLS V1.0, SSL V2.0
- SSL Server and SSL client mode capability
- Encryption: AES (256/192/128), 3DES, DES, Blowfish, CAST128, ARCFOUR(RC4), ARCTWO(RC2)
- Hashing Algorithms: MD5, SHA-1, RIPEMD160, SHA1-96, and MD5-96
- Key exchange: RSA, EDH-RSA, EDH-DSS, ADH
- X.509 Certificate verification: RSA, DSA
- Certificate authority (CA) list
- Local database
- RADIUS Authentication and Accounting
- TACACS+, LDAP, NIS, Kerberos
- RSA SecureID-agent or via RADIUS
- IP Address filtering
- Disable unused daemons

### Management

- Web browser or secure web browser via https (SSL/TLS )
- Perle DeviceManager software to manage single or multiple device servers
- CLI – Telnet, SSH, shared console port
- IOLAN+ configuration mode
- SNMP, MIB II, Perle MIB, read and write capabilities
- SYSLOG
- Port Buffering – local or 3DES encrypted to NFS server

### Serial Port(s)

- Software selectable EIA/RS-232/422/485
- Full modem and hardware flow control
- 50bps to 230Kbps
- RJ45 10 pin or DB9M connectors
- SUN Break Safe
- Full bidirectional modem support
- 15Kv ESD protection on all signals

### Interface Modes

- EIA 232 full duplex
- EIA 422 full duplex
- EIA 485 4 wire, full duplex
- EIA 485 2 wire, half duplex, with echo
- EIA 485 2 wire, half duplex, without echo

### Indicators

- Power/Ready
- Network Link activity
- Serial: Transmit and Receive data LEDs

### Dimensions, Weight

- Dimension (L x W x H)
  - **SDS1/2 T**  
9.0 x 6.4 x 2.3 (cm), 3.5 x 2.5 x 0.9 (in)  
Weight – 0.22 kg (0.50 lbs)
  - **SDS4 T**  
11.5 x 8.2 x 2.9 (cm), 4.5 x 3.2 x 1.1 (in)  
Weight – 0.34 kg (0.75 lbs)

### Power

- Power via External power 9-30V DC, 4.8 Watts – standard barrel socket. Power pigtail included (61cm, 24in)
- IOLAN SDS T over serial cable (9-30VDC )
- Power peripheral devices from serial port

### Fixed TTY/COM Port Emulation Software

- TruePort

### Environmental

- Operating temperature:
  - **SDS1/2 T** -40°C to +74°C, -40°F to +165°F
  - **SDS4 T** -40°C to +70°C, -40°F to +158°F

### Ext temp power adapter

- -40°C to +85°C, -40°F to +185°F

### Approvals

- FCC Part 15A, CE, CAN/CSA 22.2, UL 60950, EN 55022 Class A, EN 55024 Class A

### Warranty

- Limited lifetime warranty

| Model                 | Features |              |                 |                  |          |                   |                     | Part Number |          |          |
|-----------------------|----------|--------------|-----------------|------------------|----------|-------------------|---------------------|-------------|----------|----------|
|                       | Ethernet | Serial Ports | Interface Type  | Serial Connector | 9-30V DC | Power From Serial | Power Serial Device | USA         | Europe   | UK       |
| IOLAN SDS1 T          | 10/100   | 1            | EIA-232/422/485 | DB9M             | •        | •                 | •                   | 04030610    | 04030610 | 04030610 |
| IOLAN SDS2 T          | 10/100   | 2            | EIA-232/422/485 | RJ45-10          | •        | •                 | •                   | 04030620    | 04030620 | 04030620 |
| IOLAN SDS4 T          | 10/100   | 4            | EIA-232/422/485 | RJ45-10          | •        | •                 | •                   | 04030630    | 04030630 | 04030630 |
| Ext temp power supply |          |              |                 |                  |          |                   |                     | 04030674    | 04030672 | 04030671 |



[www.perle.com](http://www.perle.com)

Perle products are constantly reviewed and updated to meet customers' needs, as such specifications and capabilities are subject to change without notice. We endeavor to keep product descriptions as current as possible; for the latest up-to-date information, please visit our web site at [www.perle.com](http://www.perle.com). Perle is a registered trademark of Perle Systems. All other product names are trademarks of their respective holders. Copyright©Perle.