



BAT-ANT-TNC-B-D-085-01

Industrial Networking:Industrial Ethernet:Wireless LAN:Accessories:Antenna

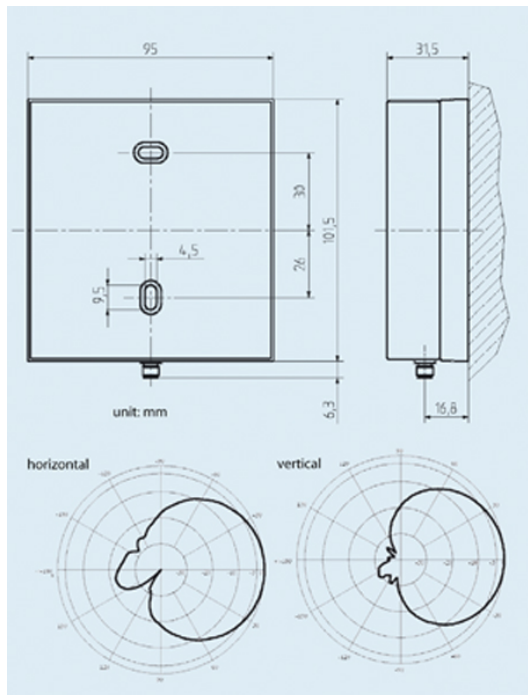
Product description

Description	circular polarized antenna for 2.4 GHz
Type	BAT-ANT-TNC-B-D-085-01
Order No.	943 056-111
Cable length	2 m
Cable specification	RP-SMA plug to TNC plug, 1.5 dB at 2.4 GHz
Colour	black

Radio technology

Frequency band	2300 MHz - 2500 MHz
Polarisation	circular, left or right
Elevation, Azimuth	3 dB beam width 65°/70°
VSWR	1.5
Gain	8.5 dBi
Antenna connector	TNC female

Drawing



Ambient conditions

Operating temperature	-40 °C to +80 °C
Storage/transport temperature	-40 °C to +80 °C
Wind load	15 N at 160 km/h

Mechanical construction

Dimensions (W x H x D)	101 mm x 95 mm x 32 mm
Mounting	wall, mast
Protection class	IP55
Material	ASA
Weight	0.11 kg
Scope of delivery and accessories	
Scope of delivery	antenna, 2 m cable, mounting material