



BAT-ANT-8G

Industrial Networking:Industrial Ethernet:Wireless LAN:Accessories:Antenna

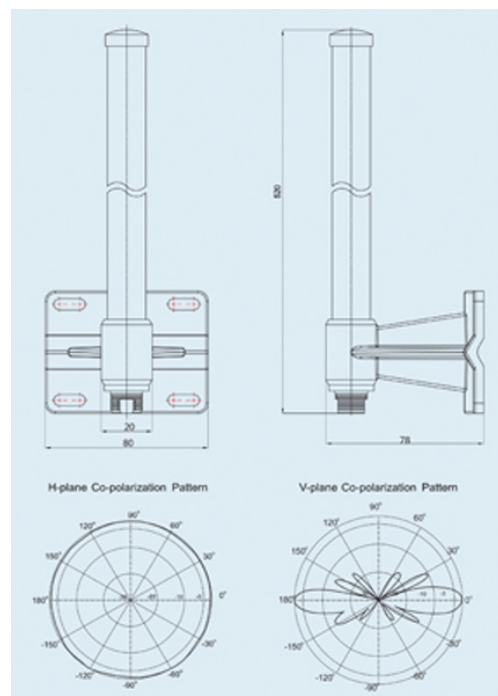
Product description

Description	Omni-Directional Antenna for 2,4 GHz
Type	BAT-ANT-8G
Order No.	943 903-401
Cable length	1 m
Cable specification	2 N male connectors; 0,7 dB at 2,4 GHz

Radio technology

Frequency band	2400 MHz - 2500 MHz
Polarisation	Linear, vertical
Elevation, Azimuth	15°/360°
VSWR	2,0: 1 Max.
Gain	8 dBi
Antenna connector	N female

Drawing



Ambient conditions

Operating temperature	-40 °C to +80 °C
Wind load	216 km/h

Mechanical construction

Dimensions (W x H x D)	78 mm x 80 mm x 520 mm
Mounting	Wall, mast

Protection class IP65

Material Fiber glass

Weight 0.34 kg

Scope of delivery and accessories

Scope of delivery Antenna, installation material, sealing tape, cable 1 m